

SPECIFICATION FOR TEMPERATURE COMPENSATED OSCILLATOR TYPE TCO-405

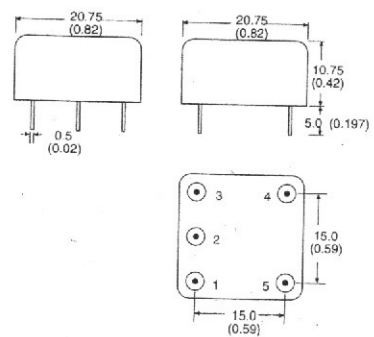
NOMINAL FREQUENCY	:	10.000 MHz
FREQUENCY TOLERANCE	:	Adjustable to nominal frequency
FREQUENCY STABILITY		
1. With temperature	:	+/-2.0ppm max over 0 to +70 deg C wrt nominal frequency at +25 deg C
2. With time	:	+/-1.0 ppm per year max
3. With supply voltage	:	+/-0.5 ppm maximum for a +/-5% change
4. With load	:	+/-0.5 ppm maximum for a +/-10% change
OPERATING TEMPERATURE RANGE	:	0 to +70 deg C
OPERABLE TEMPERATURE RANGE	:	-10 to +70 deg C
STORAGE TEMPERATURE RANGE	:	-20 to +80 deg C
SUPPLY VOLTAGE (Vs)	:	+5Vdc +/-5%
SUPPLY CURRENT	:	10mA maximum
OUTPUT CHARACTERISTICS		
1. Waveform	:	TTL/CMOS compatible
2. Logic levels	:	Low <0.1Vs High >0.7Vs
3. Fan out	:	1 standard TTL gate minimum
4. Mark space ratio	:	65:35 to 35:65 at an output level of +1.4V
FREQUENCY ADJUSTMENT	:	+/-5ppm minimum wrt nominal frequency at +25 deg C via an external 10Kohm potentiometer
PHASE NOISE	:	Offset frequency 1KHz = -115dBc minimum Offset frequency 5KHz = -120dBc minimum
PACKAGE STYLE	:	D
ADDITIONAL INFORMATION	:	All parameters apply over the operation temp and voltage range unless otherwise stated.

LOAN DRAWING ONLY

WILL NOT BE KEPT UP TO DATE

VALID ONLY UNTIL MAR 16

AUTHORISED 



Pin connections:
 1 +VE supply
 2 Output
 3 Ground
 4 Potentiometer
 5 Potentiometer

